



FlexMove

PUCK/PACKAGE DIVERT MODULE



- Pneumatic one-to-two lane diverter
- Compatible with round or rectangular packages or pucks
- Product can run back to back or paced for individual product divert
- UHMW divert arms for non-marking divert surface
- Includes flow controls with push-in air line connection
- Requires photo sensors, pneumatic solenoid valves, wiring and programming
- Rate depends on product size and desired flow. Contact factory for details.

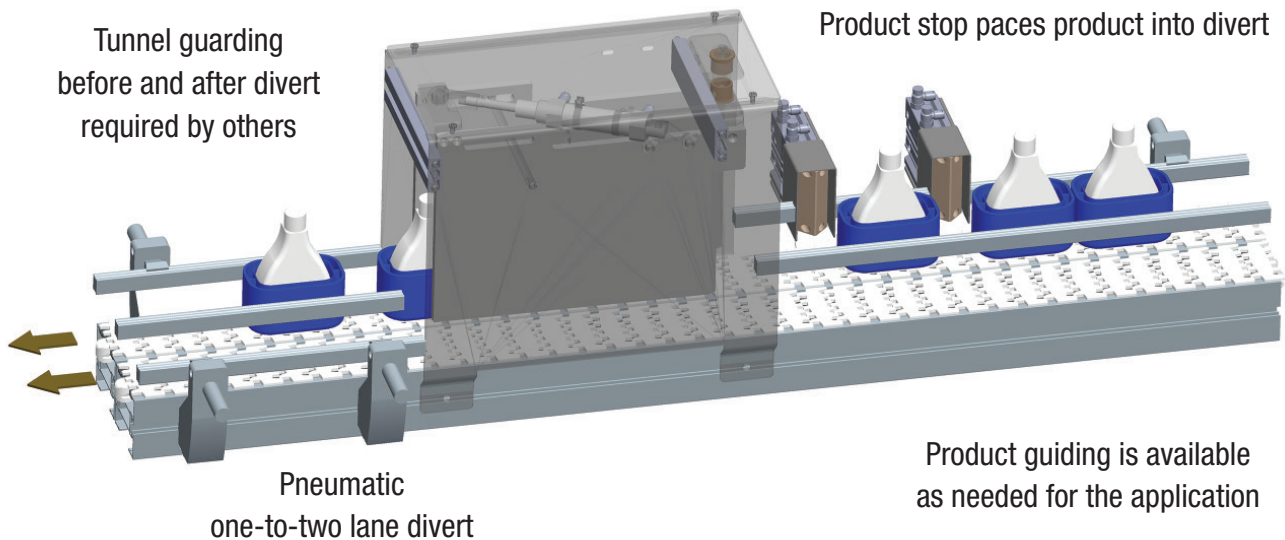
Features & Specifications

- Available on FlexMove Aluminium Conveyors, FS (65 mm), FM (85 mm), FC (105 mm), FL (150 mm), FU (180 mm) and FV (260 mm)
- Product must be able to stand unsupported
- Min. single product weight: 0.2 kg (0.45 lbs)
- Max. single product weight: 5 kg (11 lbs)
- Max. product height: 150 mm (5.9 in)
- Max. product width: chain width (example: FM 85 mm)



Tunnel guarding
before and after divert
required by others

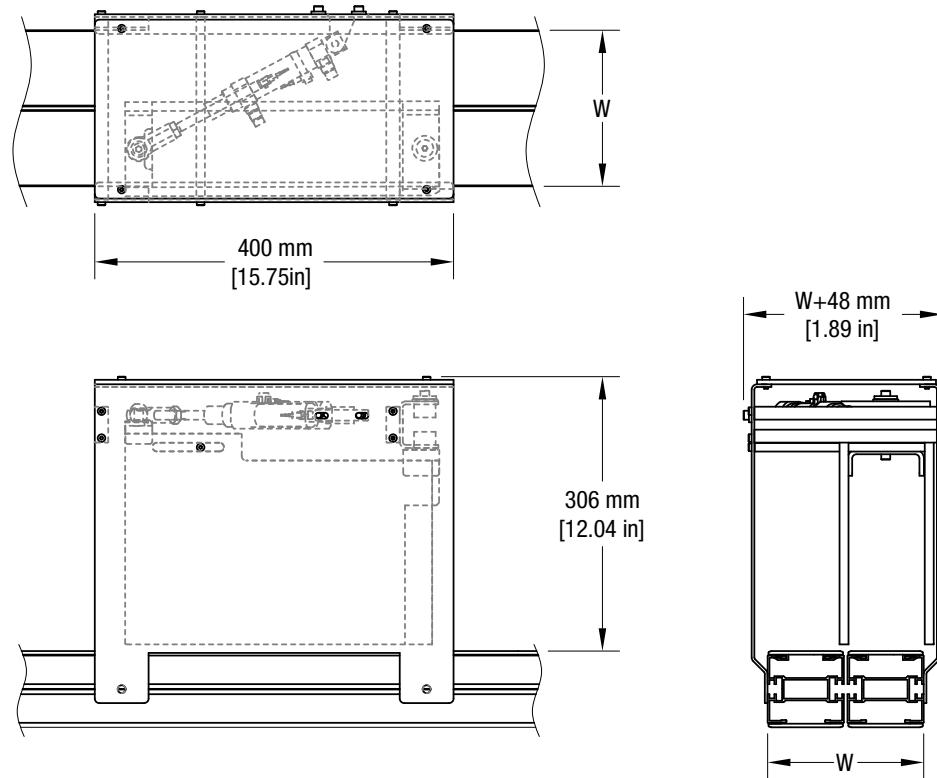
Product stop paces product into divert



Pneumatic
one-to-two lane diverter

Product guiding is available
as needed for the application

Dimensions



Part Number: 208162 for FM Series. Contact factory for other sizes.

Product dimensions shown for FM Series conveyors. Contact factory for other conveyor series.

Transforming Conveyor Automation

Dorner – North & South America

Dorner – U.S.A.

Headquarters

975 Cottonwood Ave
Hartland, WI 53029, USA
(800) 397-8664
(262) 367-7600
info@dorner.com

Dorner – Canada

100-5515 North Service Road
Burlington, Ontario L7L 6G6
Canada
(289) 208-7306
info@dorner.com

Dorner – Latin America

Carretera a Nogales #5297,
Nave 11. Parque Industrial Nogales
Zapopan, Jalisco C.P. 45222
Mexico
+52.33.30037400
info.latinamerica@dorner.com



Dorner – Europe

Dorner – Germany

Karl-Heinz-Beckurts-Straße 7
52428 Jülich,
Germany
+49 (0) 2461/93767-0
info.europe@dorner.com

Dorner – France

8 rue des Frères Caudron
78140 Velizy-Villacoublay
France
+33 (0)1 84 73 24 27
info.france@dorner.com

Dorner – Asia

128 Jalan Permatang Damar Laut, Bayan Lepas 11960
Penang, Malaysia
+604-626-2948 | info.asia@dorner.com



www.dornerconveyors.com