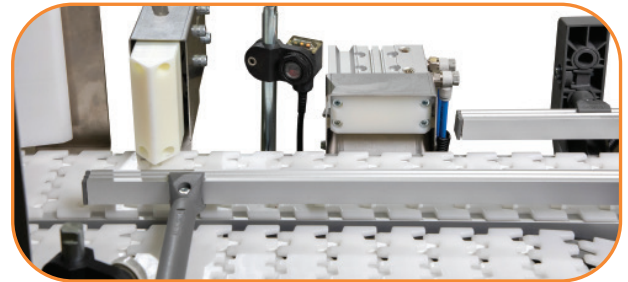




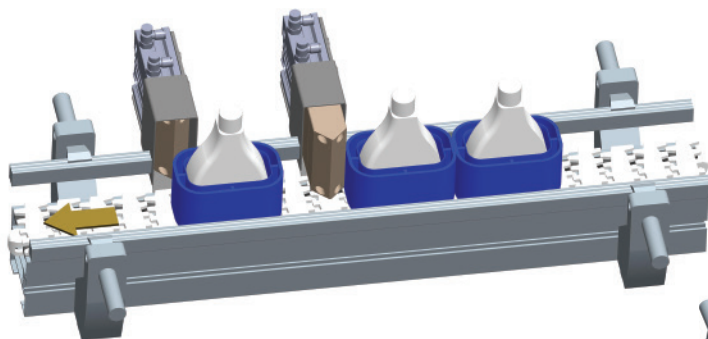
Features & Specifications

- Available on FlexMove Aluminum Conveyors, FS (65 mm), FM (85 mm), FC (105 mm), FL (150 mm), FU (180 mm), and FV (260 mm)
- Max. single product weight: 2.3 kg (5 lbs)
- Max. product accumulation weight: 13.6 kg (30 lbs)
- Max. conveyor speed: 50 m/min (164 ft/min)
- Produces gap of approximately one product length

- Pneumatic stop for pacing pucks or packages
- Two Models:
 - Vertical Blade Stop; used in pairs as an alternating escapement for pacing round or rounded edge rectangular pucks
 - Horizontal Squeeze Stop; used in combination with Vertical Blade Stop for pacing product without rounded edges. Product must be able to withstand side squeeze pressure
- Compatible with round or rectangular bottles, containers or pucks
- UHMW face for non-marking contact surface
- Includes flow controls with push-in air line connection
- Requires photo sensors, pneumatic solenoid valves, wiring and programming
- Rate depends on product size. Contact factory for details

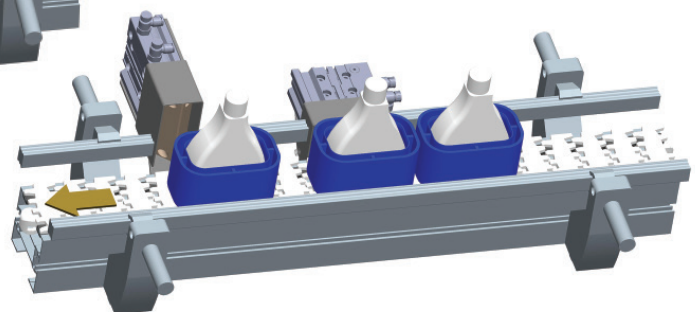


Dual Vertical Blade Stops



Puck stops alternate to pace products

Horizontal Squeeze Stop with Vertical Blade Stop

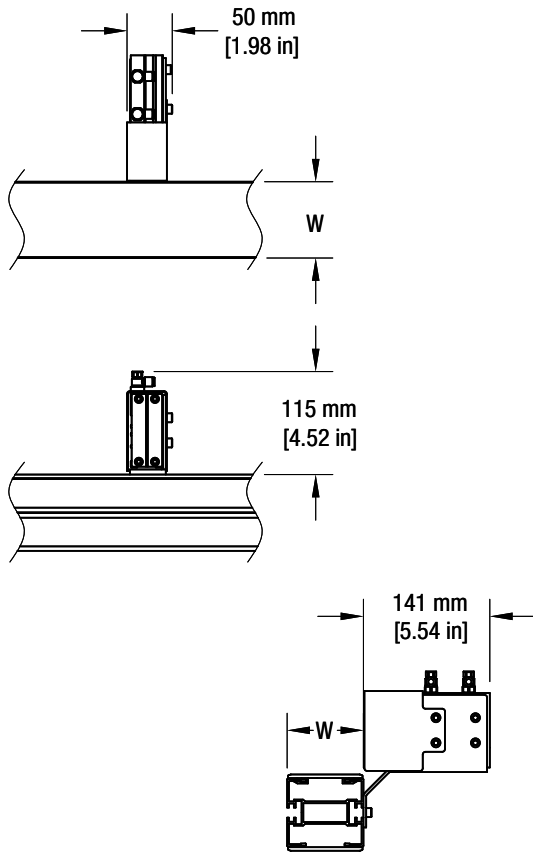


Vertical stop releases product and horizontal stop squeezes second to pace product

Dimensions

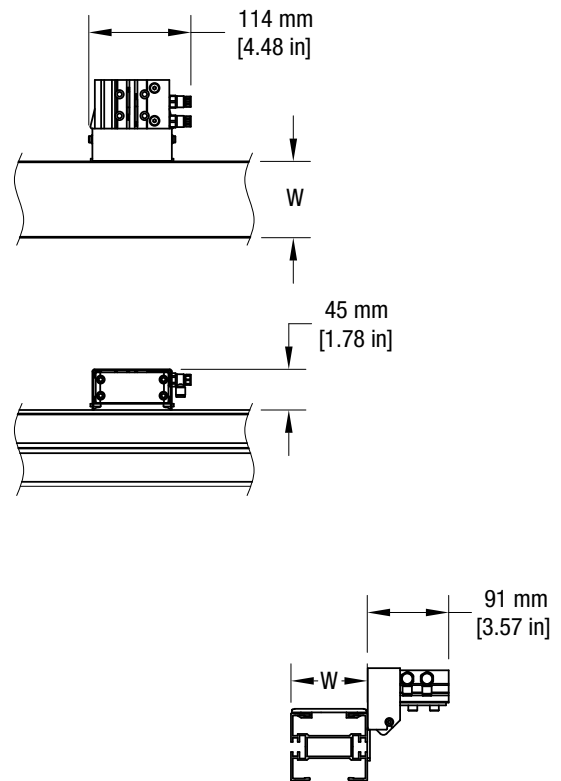
Vertical Blade

Part Number: 208169



Horizontal Squeeze

Part Number: 208161



Transforming Conveyor Automation

Dorner – North & South America

Dorner – U.S.A.

Headquarters

975 Cottonwood Ave
Hartland, WI 53029, USA
(800) 397-8664
(262) 367-7600
info@dorner.com

Dorner – Canada

100-5515 North Service Road
Burlington, Ontario L7L 6G6
Canada
(289) 208-7306
info@dorner.com

Dorner – Latin America

Carretera a Nogales #5297,
Nave 11. Parque Industrial Nogales
Zapopan, Jalisco C.P. 45222
Mexico
+52.33.30037400
info.latinamerica@dorner.com



Dorner – Europe

Dorner – Germany

Karl-Heinz-Beckurts-Straße 7
52428 Jülich,
Germany
+49 (0) 2461/93767-0
info.europe@dorner.com

Dorner – France

8 rue des Frères Caudron
78140 Velizy-Villacoublay
France
+33 (0)1 84 73 24 27
info.france@dorner.com

Dorner – Asia

128 Jalan Permatang Damar Laut, Bayan Lepas 11960
Penang, Malaysia
+604-626-2948 | info.asia@dorner.com



www.dornerconveyors.com