

ROBOTICS

# Product specification

## IRB 760



Trace back information:  
Workspace 21C version a4  
Checked in 2021-09-27  
Skribenta version 5.4.005

## **Product specification**

**IRB 760-450/3.2**

**IRB 760-445/3.2**

**Document ID: 3HAC039612-001**

**Revision: R**

The information in this manual is subject to change without notice and should not be construed as a commitment by ABB. ABB assumes no responsibility for any errors that may appear in this manual.

Except as may be expressly stated anywhere in this manual, nothing herein shall be construed as any kind of guarantee or warranty by ABB for losses, damage to persons or property, fitness for a specific purpose or the like.

In no event shall ABB be liable for incidental or consequential damages arising from use of this manual and products described herein.

This manual and parts thereof must not be reproduced or copied without ABB's written permission.

Keep for future reference.

Additional copies of this manual may be obtained from ABB.

Original instructions.

© Copyright 2021 ABB. All rights reserved.  
Specifications subject to change without notice.

# Table of contents

Overview .....	7
<b>1 Description</b>	<b>9</b>
1.1 Structure .....	9
1.1.1 Introduction .....	9
1.1.2 Different robot versions .....	11
1.2 Safety standards .....	14
1.2.1 Applicable standards .....	14
1.3 Installation .....	16
1.3.1 Introduction .....	16
1.3.2 Operating requirements .....	17
1.3.3 Mounting the manipulator .....	18
1.4 Calibration .....	24
1.4.1 Calibration methods .....	24
1.4.2 Fine calibration .....	26
1.5 Load diagrams .....	27
1.5.1 Introduction to load diagrams .....	27
1.5.2 Load diagrams .....	28
1.5.3 Maximum load and moment of inertia .....	30
1.5.4 Maximum TCP acceleration .....	31
1.6 Mounting of equipment .....	32
1.6.1 Introduction .....	32
1.7 Robot motion .....	37
1.7.1 Introduction .....	37
1.7.2 Performance according to ISO 9283 .....	40
1.7.3 Velocity .....	41
1.7.4 Stopping distance/time .....	42
1.8 Customer connections .....	43
1.8.1 Introduction .....	43
1.9 Maintenance and troubleshooting .....	45
1.9.1 Introduction .....	45
<b>2 Specifications of variants and options</b>	<b>47</b>
2.1 Introduction to variants and options .....	47
2.2 Manipulator .....	48
2.3 Floor cables .....	53
2.4 User documentation .....	54
<b>3 Accessories</b>	<b>55</b>
3.1 Introduction to accessories .....	55
<b>Index</b>	<b>57</b>

**This page is intentionally left blank**

# Overview

## About this product specification

It describes the performance of the manipulator or a complete family of manipulators in terms of:

- The structure and dimensional prints
- The fulfilment of standards, safety and operating requirements
- The load diagrams, mounting of extra equipment, the motion and the robot reach
- The specification of variant and options available

## Usage

Product specifications are used to find data and performance about the product, for example to decide which product to buy. How to handle the product is described in the product manual.

## Users

This manual is intended for:

- Product managers and Product personnel
- Sales and Marketing personnel
- Order and Customer Service personnel

## References

Reference	Document ID
<i>Product specification - Controller IRC5</i> IRC5 with main computer DSQC1000.	3HAC047400-001
<i>Product specification - Controller software IRC5</i> IRC5 with main computer DSQC1000 and RobotWare 5.6x.	3HAC050945-001
<i>Product specification - Controller software IRC5</i> IRC5 with main computer DSQC1000 and RobotWare 6.	3HAC050945-001
<i>Product manual - IRB 760</i>	3HAC039838-001
<i>Product specification - Robot user documentation, IRC5 with RobotWare 6</i>	3HAC052355-001

## Revisions

Revision	Description
-	- New Product Specification
A	<ul style="list-style-type: none"> <li>• Table for ambient temperature adjusted</li> <li>• Minor corrections</li> </ul>
B	<ul style="list-style-type: none"> <li>• Machinery directive updated</li> </ul>
C	<ul style="list-style-type: none"> <li>• The maximum allowed deviation in levelity of the base plate is changed, see <a href="#">Mounting the manipulator on page 18</a>.</li> </ul>
D	<ul style="list-style-type: none"> <li>• Minor corrections/update</li> </ul>

*Continues on next page*

Revision	Description
E	<ul style="list-style-type: none"><li>Text for ISO test adjusted</li></ul>
F	<ul style="list-style-type: none"><li>Minor corrections/update</li></ul>
G	<ul style="list-style-type: none"><li>Graphite white color added</li></ul>
H	<ul style="list-style-type: none"><li>Minor corrections/update</li></ul>
J	<ul style="list-style-type: none"><li>Axis Calibration method added</li></ul>
K	Published in release R17.1. The following updates are done in this revision: <ul style="list-style-type: none"><li>Restriction of load diagram added.</li></ul>
L	Published in release R17.2. The following updates are done in this revision: <ul style="list-style-type: none"><li>Updated list of applicable standards.</li></ul>
M	Published in release R18.1. The following updates are done in this revision: <ul style="list-style-type: none"><li>TCP acceleration added.</li></ul>
N	Published in release R18.2. The following updates are done in this revision: <ul style="list-style-type: none"><li>Added locating hole position in tool flange view.</li></ul>
P	Published in release R20C The following updates are done in this revision: <ul style="list-style-type: none"><li>New variants IRB 760-445/3.2 added.(only for press tending application)</li></ul>
Q	Published in release R20D The following updates are done in this revision: <ul style="list-style-type: none"><li>New customer option cable harness (with ethernet cable) added.</li><li>Warranty section updated.</li></ul>
R	Published in release R21C. The following updates are done in this revision: <ul style="list-style-type: none"><li>Text regarding fastener quality is updated.</li><li>Removed Axis resolution.</li><li>Updated information about the option <i>Extended working range</i>.</li></ul>



# 1 Description

## 1.1 Structure

### 1.1.1 Introduction

---

**Robot family**

IRB 760 is ABB Robotics dedicated Full Layer Pallitaizer, 4-axis robot, designed with a focus on its high production capacity, short cycle time at a high payload, long reach together with the very high uptime, which is significant for ABB's robots. It is available in two versions with a handling capacity of 450 kg and 445 kg and a reach of 3.18 m. The IRB 760-445/3.2 variant has a modified morphology of the tilt housing.

Customer connections (option) as power, signals, Bus signals and twin air are integrated in the robot, from the robot base to connections at the robot tool flange.

---

**IRC5 and RobotWare**

The robot is equipped with the IRC5 controller and robot control software, RobotWare. RobotWare supports every aspect of the robot system, such as motion control, development and execution of application programs, communication and so on. For more information, see *Product specification - Controller IRC5 with FlexPendant*.

---

**Safety**

Safety standards valid for complete robot, manipulator and controller.

---

**Additional functionality**

For additional functionality, the robot can be equipped with optional software for application support. For a complete description of optional software, see the *Product specification - Controller software IRC5*. Other powerful tools to make commissioning/programming easier are e.g. RobotStudio and PickMaster 5.

*Continues on next page*

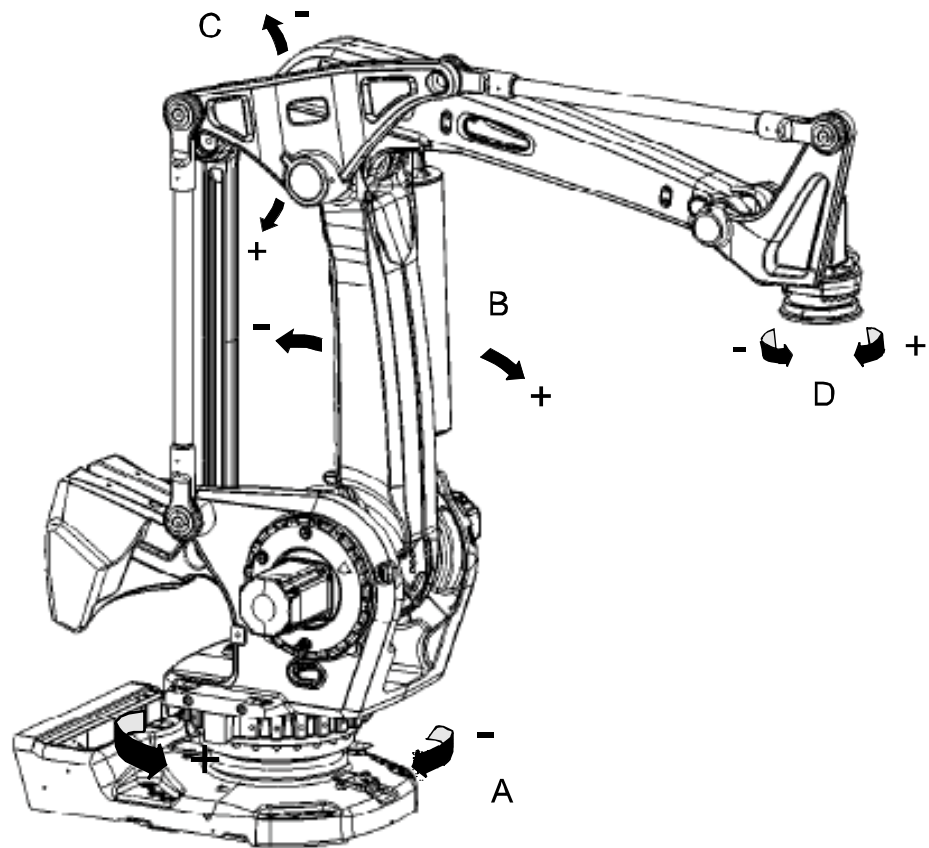
# 1 Description

## 1.1.1 Introduction

*Continued*

### Manipulator axes

The IRB 760 manipulator has 4 axes as shown in the following figure.



xx1000001136

Pos	Description
A	Axis 1
B	Axis 2
C	Axis 3
D	Axis 6

### 1.1.2 Different robot versions

#### General

The IRB 760 is available in two versions, for floor mounting (no tilting around X or Y axis).

Robot type	Handling capacity	Reach (m)
IRB 760-450/3.2	450 kg	3.18 m
IRB 760-445/3.2	445 kg	3.18 m

#### Manipulator weight

Robot type	Weight (kg)
IRB 760	2300 kg

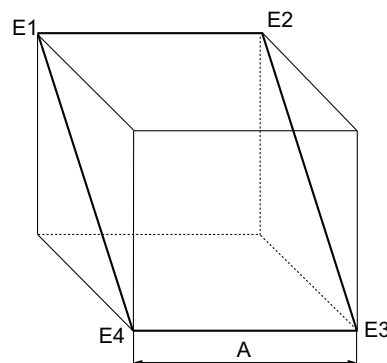
#### Other technical data

Data	Description	Note
Airborne noise level	The sound pressure level outside the working space	< 70 dB (A) Leq (acc. to Machinery directive 2006/42/EG).

#### Power consumption at max load

Type of movement	IRB 760-450/3.2 IRB 760-445/3.2
ISO cube Max. velocity	2.75 kW
General palletizing movements	2.95 kW
Robot in calibration position	IRB 760-450/3.2 IRB 760-445/3.2
Brakes engaged	0.20 kW
Brakes disengaged	0.98 kW

The path E1-E2-E3-E4 in the ISO cube is show in the following figure.



xx100000101

Pos	Description
A	1000 mm

*Continues on next page*

# 1 Description

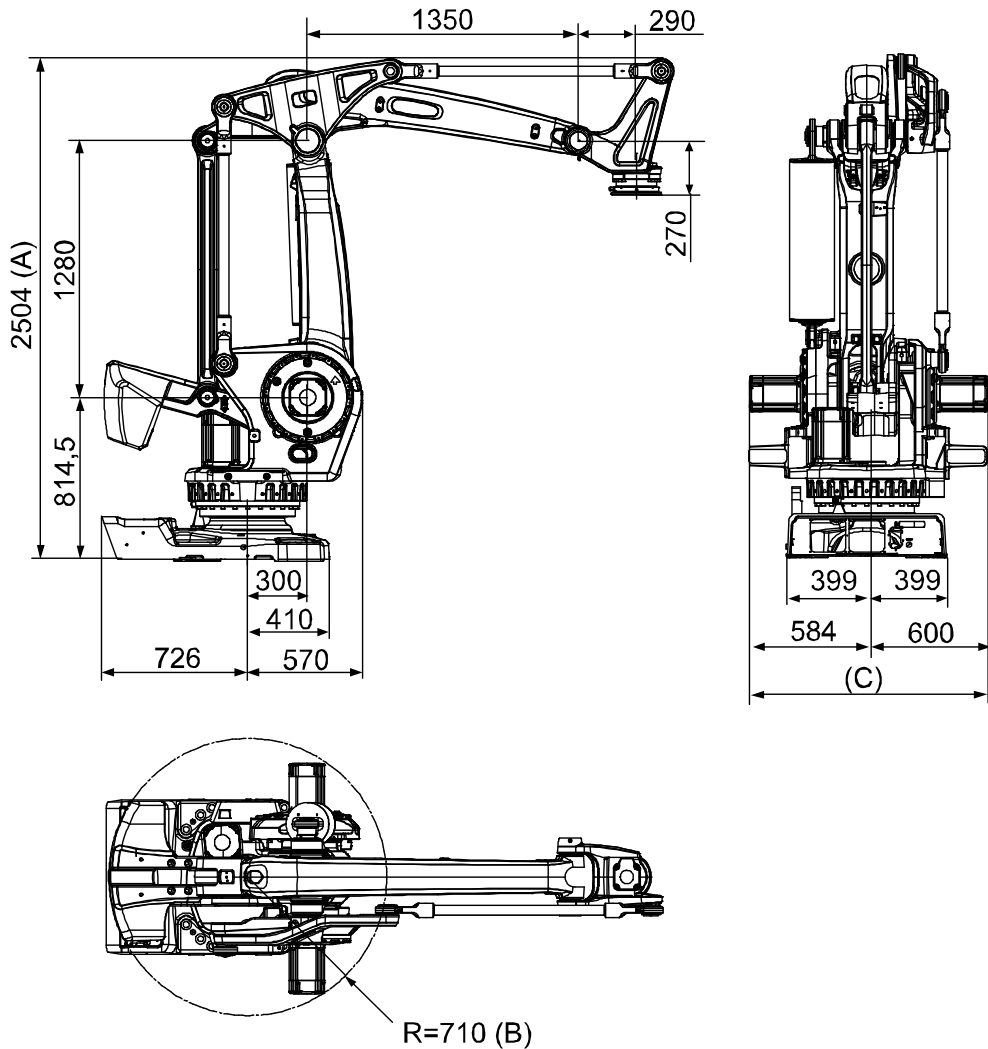
## 1.1.2 Different robot versions

Continued

### Dimensions IRB 760

The following figure shows the rear, side and top view of the IRB 760 manipulator (dimensions in mm).

IRB 760-450/3.2



xx1000001137

Pos	Description
A	2966 mm max working range
B	Radius for axis 3 motor 750 mm radius for fork lift pocket (option)
C	Max forklift width 1195 mm

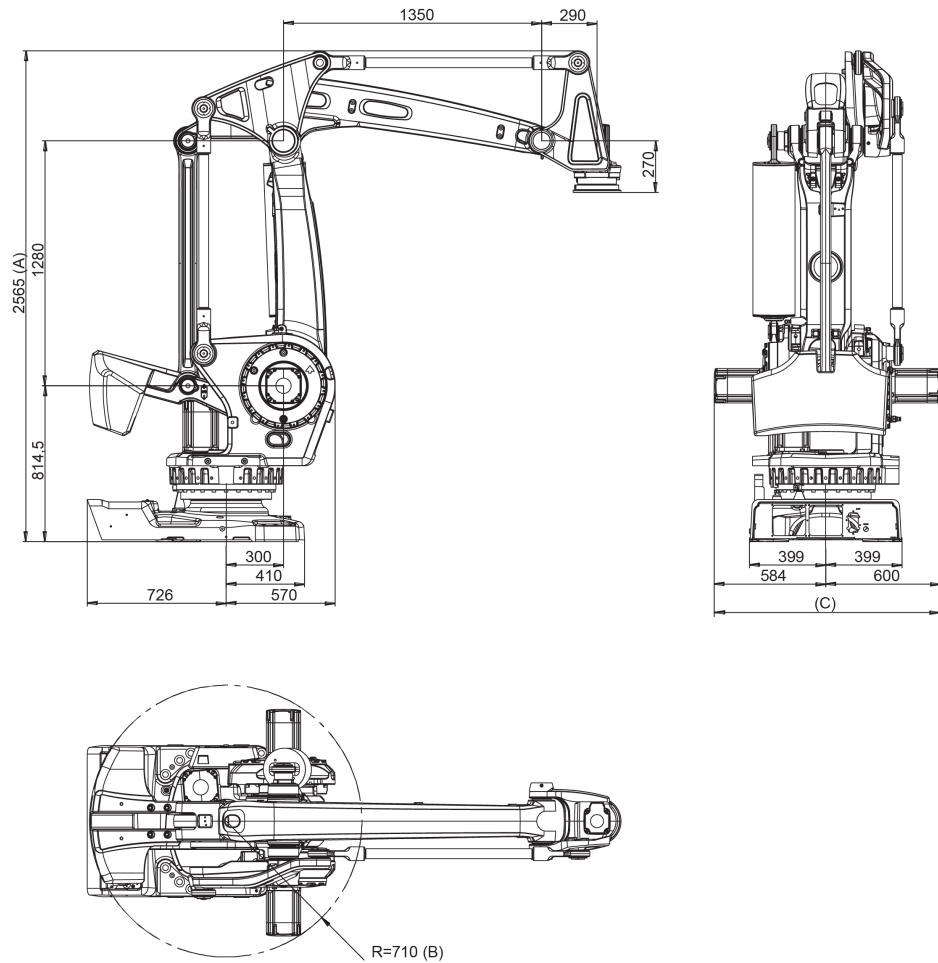
Continues on next page

# 1 Description

## 1.1.2 Different robot versions

*Continued*

### IRB 760-445/3.2



xx2000000270

Pos	Description
A	3027 mm max working range
B	Radius for axis 3 motor 750 mm radius for fork lift pocket (option)
C	Max forklift width 1195 mm

# 1 Description

## 1.2.1 Applicable standards

## 1.2 Safety standards

### 1.2.1 Applicable standards



#### Note

The listed standards are valid at the time of the release of this document. Phased out or replaced standards are removed from the list when needed.

#### General

The product is designed in accordance with ISO 10218-1:2011, Robots for industrial environments - Safety requirements -Part 1 Robots, and applicable parts in the normative references, as referred to from ISO 10218-1:2011. In case of deviations from ISO 10218-1:2011, these are listed in the declaration of incorporation which is part of the product delivery.

#### Normative standards as referred to from ISO 10218-1

Standard	Description
ISO 9283:1998	Manipulating industrial robots - Performance criteria and related test methods
ISO 10218-2	Robots and robotic devices - Safety requirements for industrial robots - Part 2: Robot systems and integration
ISO 12100	Safety of machinery - General principles for design - Risk assessment and risk reduction
ISO 13849-1:2006	Safety of machinery - Safety related parts of control systems - Part 1: General principles for design
ISO 13850	Safety of machinery - Emergency stop - Principles for design
IEC 60204-1:2005	Safety of machinery - Electrical equipment of machines - Part 1: General requirements
IEC 62061:2005	Safety of machinery - Functional safety of safety-related electrical, electronic and programmable electronic control systems

#### Region specific standards and regulations

Standard	Description
ANSI/RIA R15.06	Safety requirements for industrial robots and robot systems
ANSI/UL 1740	Safety standard for robots and robotic equipment
CAN/CSA Z 434-14	Industrial robots and robot Systems - General safety requirements

#### Other standards used in design

Standard	Description
ISO 9787:2013	Robots and robotic devices -- Coordinate systems and motion nomenclatures
IEC 61000-6-2	Electromagnetic compatibility (EMC) – Part 6-2: Generic standards – Immunity standard for industrial environments

Continues on next page

# 1 Description

## 1.2.1 Applicable standards

*Continued*

Standard	Description
IEC 61000-6-4 (option 129-1)	Electromagnetic compatibility (EMC) – Part 6-4: Generic standards – Emission standard for industrial environments
ISO 13732-1:2006	Ergonomics of the thermal environment - Part 1
IEC 60974-1:2012 <sup>i</sup>	Arc welding equipment - Part 1: Welding power sources
IEC 60974-10:2014 <sup>i</sup>	Arc welding equipment - Part 10: EMC requirements
ISO 14644-1:2015 <sup>ii</sup>	Classification of air cleanliness
IEC 60529:1989 + A2:2013	Degrees of protection provided by enclosures (IP code)

<sup>i</sup> Only valid for arc welding robots. Replaces IEC 61000-6-4 for arc welding robots.

<sup>ii</sup> Only robots with protection Clean Room.

# 1 Description

---

## 1.3.1 Introduction

## 1.3 Installation

### 1.3.1 Introduction

---

#### General

IRB 760 is designed for floor mounting (no tilting around X or Y axis), end effector with max. weight of 450 kg and 445 kg including payload, can be mounted on the mounting flange (axis 6). For more information on Load Diagrams, see [Load diagrams on page 27](#).

---

#### Working range

The working range of axis 1 can be limited by mechanical stops. Electronic Position Switches can be used on all axes, for position indication of the manipulator.



## 1.3.2 Operating requirements

### Protection standards

Manipulator IP67.

### Explosive environments

The robot must not be located or operated in an explosive environment.

### Ambient temperature

Description	Standard/Option	Temperature
Manipulator during operation	Standard	0°C <sup>a)</sup> (32°F) to +50°C (122°F)
For the controller	Standard/Option	See <i>Product specification - Controller IRC5 with FlexPendant</i>
Complete robot during transportation and storage	Standard	-25°C (-13°F) to +55°C (131°F)
For short periods (not exceeding 24 hours).	Standard	up to +70°C (158°F)

a. At low environmental temperature < 10°C is, as with any other machine, a warm-up phase recommended to be run with the robot. Below 5°C this warm-up phase is mandatory. Otherwise there is a risk that the robot stops or run with lower performance due to temperature dependent oil- and grease viscosity.

### Relative humidity

Description	Relative humidity
Complete robot during operation, transportation and storage	Max. 95% at constant temperature

# 1 Description

## 1.3.3 Mounting the manipulator

### 1.3.3 Mounting the manipulator

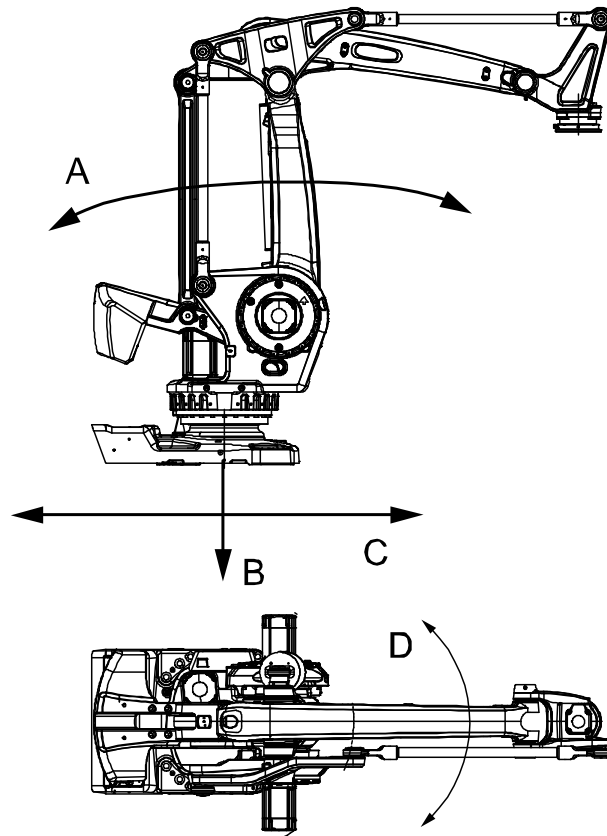
#### Maximum Load

Maximum load in relation to the base coordinate system.

#### Floor Mounted

Force	Endurance load (in operation)	Max. load (emergency stop)
Force xy	$\pm 9.1$ kN	$\pm 17.7$ kN
Force z	$+ 26.7 \pm 3.6$ kN	$+ 26.7 \pm 7.9$ kN
Torque xy	$\pm 28.9$ kNm	$\pm 38.5$ kNm
Torque z	$\pm 6.2$ kNm	$\pm 14.2$ kNm

The following figure shows the direction of forces.



xx1000001138

A	Torque <sub>xy</sub> ( $T_{xy}$ )
B	Force <sub>z</sub> ( $F_z$ )
C	Force <sub>xy</sub> ( $F_{xy}$ )
D	Torque <sub>z</sub> ( $T_z$ )

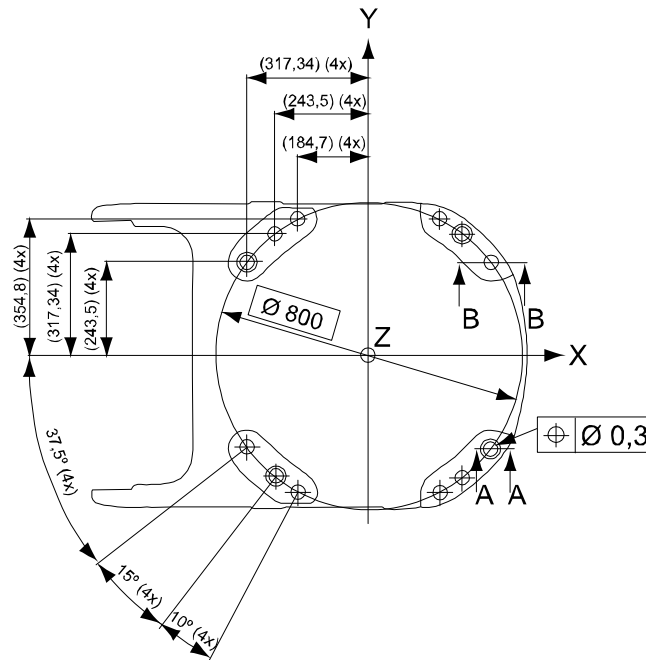
#### Note regarding $M_{xy}$ and $F_{xy}$

The bending torque ( $M_{xy}$ ) can occur in any direction in the XY-plane of the base coordinate system. The same applies to the transverse force ( $F_{xy}$ ).

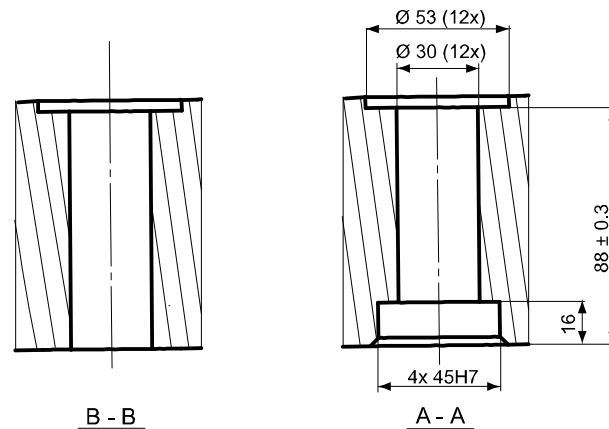
*Continues on next page*

Fastening holes robot base

The following figure shows the hole configuration (dimensions in mm).



xx1000001050



xx1000001051

Recommended screws for fastening the manipulator to the base	M24 x 140 8.8 with 4 mm flat washer.
Torque value	725 Nm

Two guiding sleeves required, dimensions see figures in this chapter.



Note

Only two guiding sleeves shall be used. The corresponding holes in the base plate shall be circular and oval according to the following base plate drawing. regarding AbsAcc performance, the recommended are the chosen guide holes those are according to next two figures.

Continues on next page

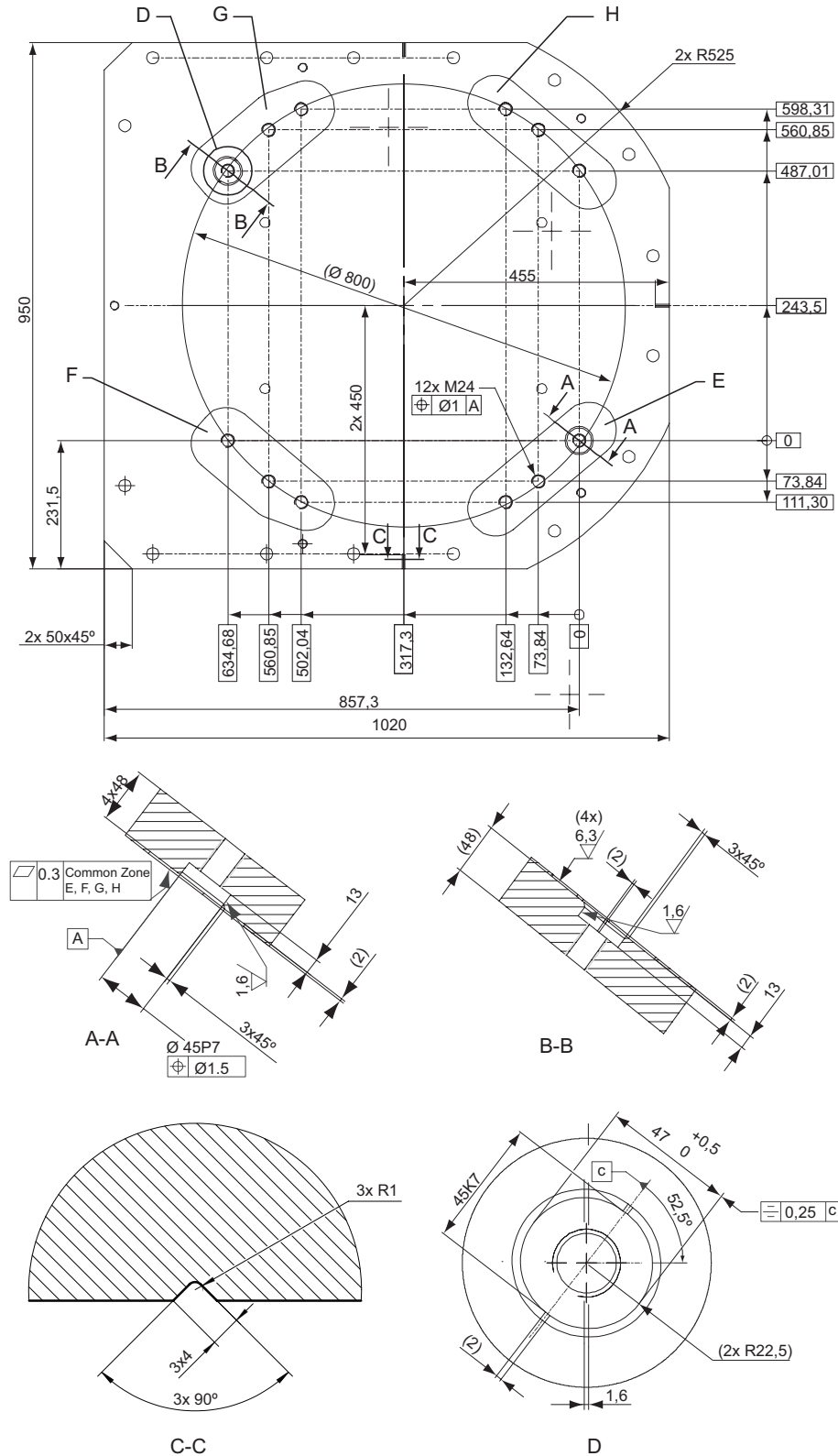
# 1 Description

## 1.3.3 Mounting the manipulator

Continued

### Base plate drawing

The following figure shows the option base plate (dimensions in mm).



xx1000001053

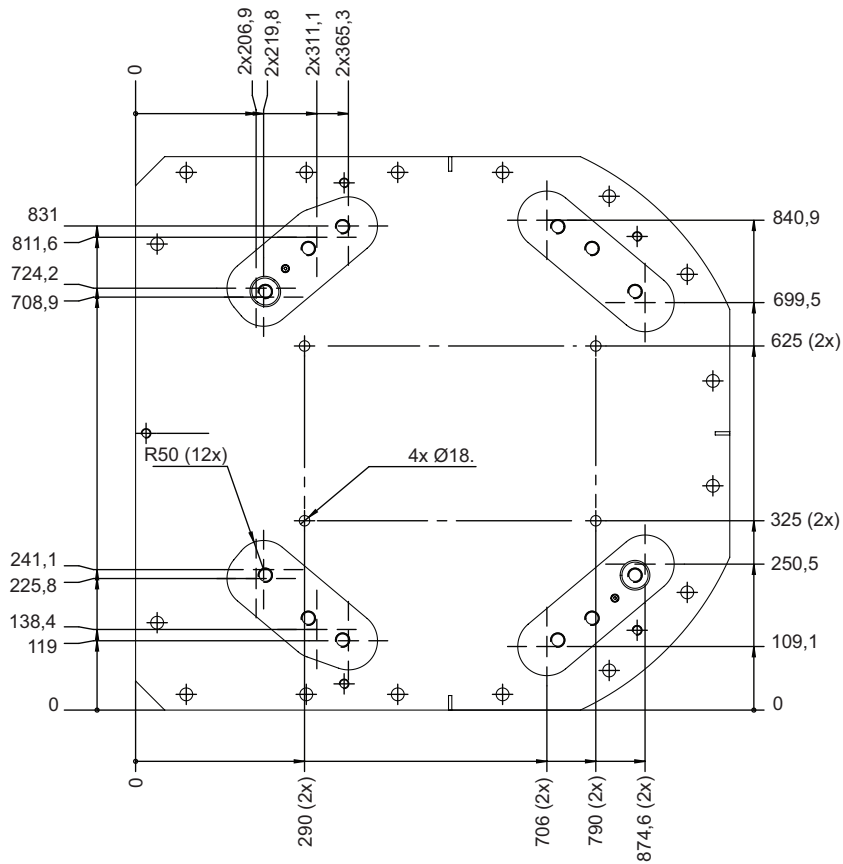
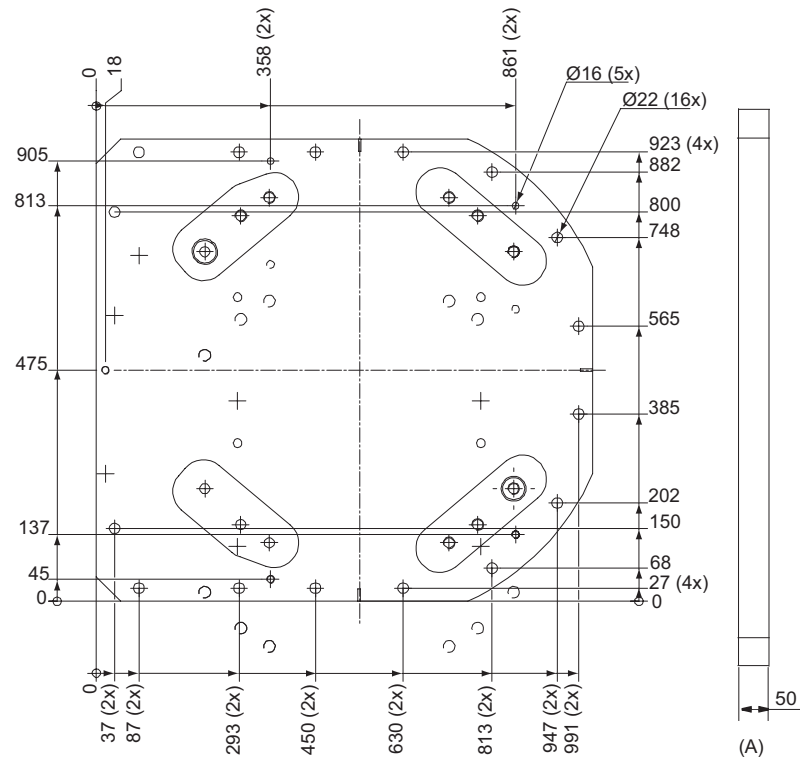
Continues on next page

E, F, G, H	Common tolerance zone (accuracy all over the base plate from one contact surface to the other)
------------	--

# 1 Description

## 1.3.3 Mounting the manipulator

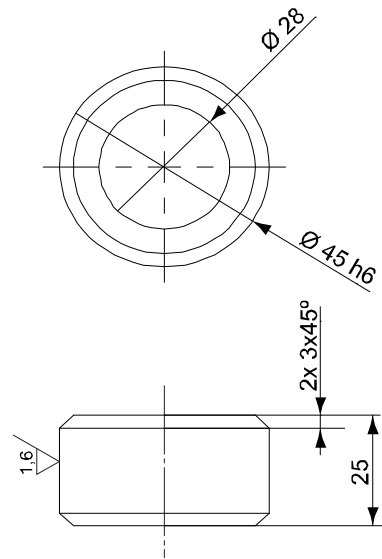
Continued



xx1000001054

Continues on next page

Pos	Description
A	Color: RAL 9005. Thickness: 80-100 $\mu\text{m}$



xx1000001055

Pos	Description
-	Guide sleeve, protected from corrosion

# 1 Description

---

## 1.4.1 Calibration methods

## 1.4 Calibration

### 1.4.1 Calibration methods

---

#### Overview

This section specifies the different types of calibration and the calibration methods that are supplied by ABB.

More information is available in the product manual.

---

#### Types of calibration

Type of calibration	Description	Calibration method
Standard calibration	The calibrated robot is positioned at calibration position. Standard calibration data is found on the SMB (serial measurement board) or EIB in the robot. For robots with RobotWare 5.04 or older, the calibration data is delivered in a file, <i>calib.cfg</i> , supplied with the robot at delivery. The file identifies the correct resolver/motor position corresponding to the robot home position.	Axis Calibration or Calibration Pendulum <sup>i</sup>

<sup>i</sup> The robot is calibrated by either Calibration Pendulum or Axis Calibration at factory. Always use the same calibration method as used at the factory.  
Information about valid calibration method is found on the calibration label or in the calibration menu on the FlexPendant.  
If no data is found related to standard calibration, Calibration Pendulum is used as default.

---

#### Brief description of calibration methods

##### Calibration Pendulum method

Calibration Pendulum is a standard calibration method for calibration of all ABB robots (except IRB 6400R, IRB 640, IRB 1400H, and IRB 4400S).

Two different routines are available for the Calibration Pendulum method:

- Calibration Pendulum II
- Reference calibration

The calibration equipment for Calibration Pendulum is delivered as a complete toolkit, including the *Operating manual - Calibration Pendulum*, which describes the method and the different routines further.

##### Axis Calibration method

Axis Calibration is a standard calibration method for calibration of IRB 760 and is the most accurate method for the standard calibration. It is the recommended method in order to achieve proper performance.

The following routines are available for the Axis Calibration method:

- Fine calibration
- Update revolution counters
- Reference calibration

The calibration equipment for Axis Calibration is delivered as a toolkit.

*Continues on next page*



The actual instructions of how to perform the calibration procedure and what to do at each step is given on the FlexPendant. You will be guided through the calibration procedure, step by step.

# 1 Description

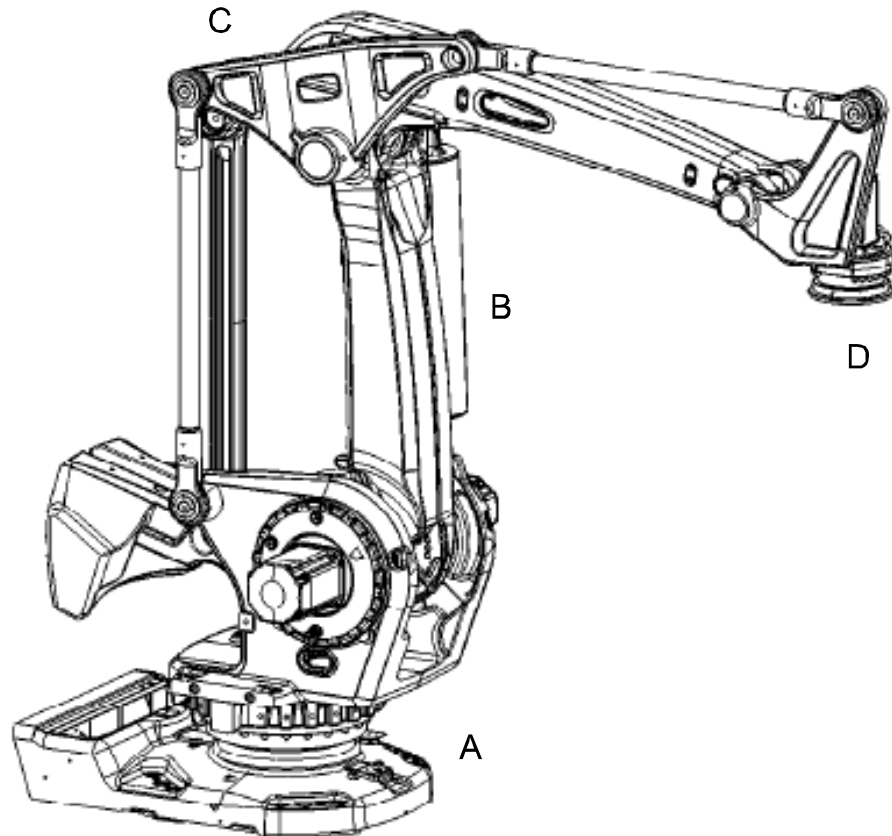
## 1.4.2 Fine calibration

### 1.4.2 Fine calibration

#### General

Fine calibration is made using the Calibration Pendulum, see *Operating manual - Calibration Pendulum*.

The following figure shows all axes in zero position.



xx1000001142

Pos	Description
A	Axis 1
B	Axis 2
C	Axis 3
D	Axis 6

Calibration	Position
Calibration of all axes	All axes are in zero position
Calibration of axis 1 and 2	Axis 1 and 2 in zero position Axis 3 to 6 in any position
Calibration of axis 1	Axis 1 in zero position Axis 2 to 6 in any position

## 1.5 Load diagrams

### 1.5.1 Introduction to load diagrams

#### Information



#### WARNING

It is very important to always define correct actual load data and correct payload of the robot. Incorrect definitions of load data can result in overloading of the robot.

If incorrect load data is used, and/or if loads outside the load diagram are used, the following parts can be damaged due to overload:

- motors
- gearboxes
- mechanical structure



#### WARNING

In RobotWare, the service routine LoadIdentify can be used to determine correct load parameters. The routine automatically defines the tool and the load. See *Operating manual - IRC5 with FlexPendant*, for detailed information.



#### WARNING

Robots running with incorrect load data and/or with loads outside the load diagram, will not be covered by robot warranty.

#### General

The load diagram is valid up to max moment of inertia for axis 6. No extra load on upper arm.

At different moment of inertia the load diagram will be changed. For robots that are allowed tilted, wall or inverted mounted, the load diagrams as given are valid and thus it is also possible to use RobotLoad within those tilt and axis limits.

#### Control of load case with RobotLoad

To verify a specific load case, use the RobotStudio add-in RobotLoad.

The result from RobotLoad is only valid within the maximum loads and tilt angles. There is no warning if the maximum permitted arm load is exceeded. For over-load cases and special applications, contact ABB for further analysis.

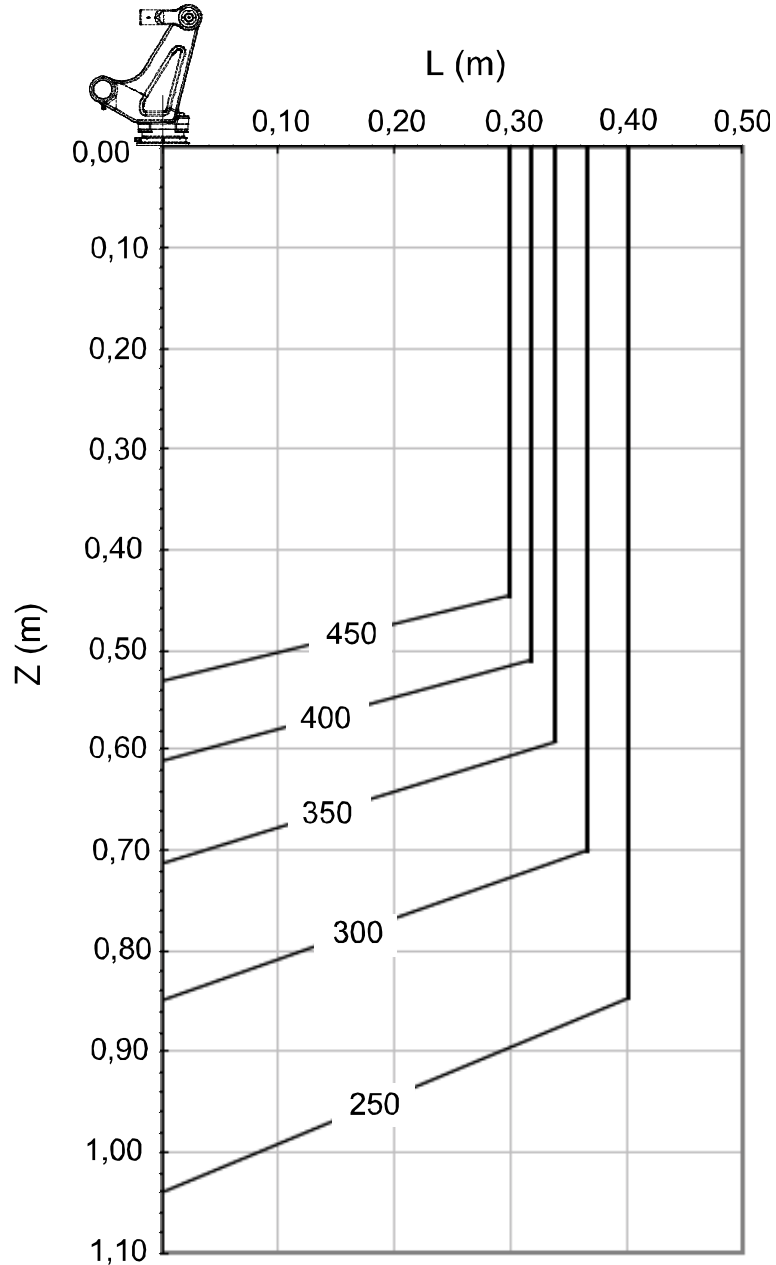
# 1 Description

## 1.5.2 Load diagrams

### 1.5.2 Load diagrams

IRB 760-450/3.2

The following figure shows the maximum permitted load mounted on the robot tool flange at different positions (center of gravity).

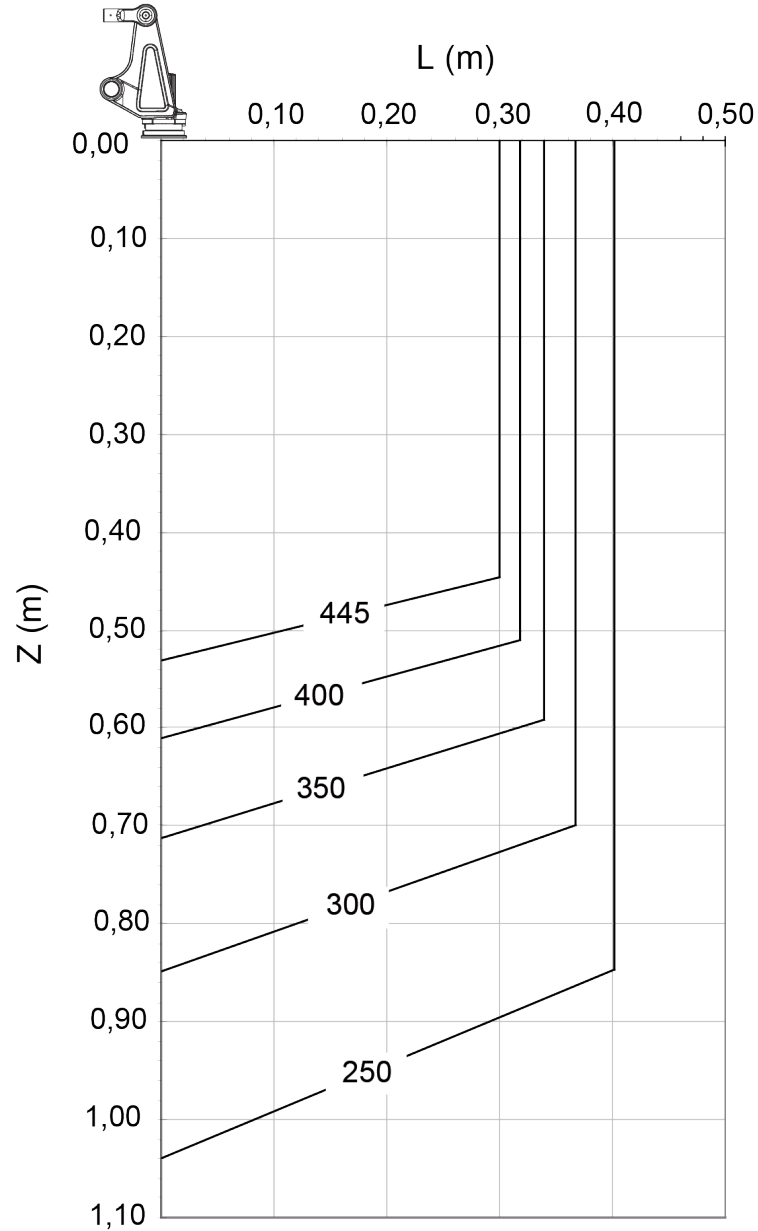


xx1000001143

Continues on next page

IRB 760-445/3.2

The following figure shows the maximum permitted load mounted on the robot tool flange at different positions (center of gravity).



xx200000271

# 1 Description

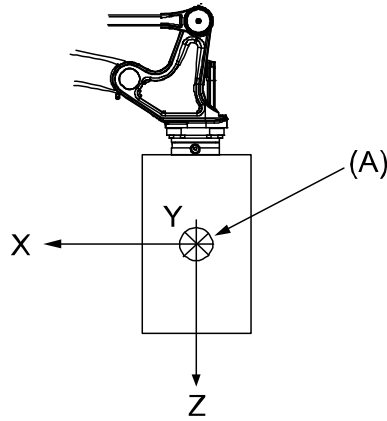
## 1.5.3 Maximum load and moment of inertia

### 1.5.3 Maximum load and moment of inertia

#### General

Load in kg, Z and L in m and J in  $\text{kgm}^2$ .

Axis	Maximum moment of inertia
6	$J_{a6} = \text{Load} \times L^2 + J_{0z} \leq 400 \text{ kgm}^2$



xx1000001078

Pos	Description
A	Center of gravity
	<b>Description</b>
$J_{0x}, J_{0y}, J_{0z}$	Max. moment of inertia around the X, Y and Z axes at center of gravity.

## 1.5.4 Maximum TCP acceleration

### General

Higher values can be reached with lower loads than the nominal because of our dynamical motion control QuickMove2. For specific values in the unique customer cycle, or for robots not listed in the table below, we recommend then to use RobotStudio.

### Maximum Cartesian design acceleration for nominal loads

Robot type	E-stop Max acceleration at nominal load COG [m/s <sup>2</sup> ]	Controlled Motion Max acceleration at nominal load COG [m/s <sup>2</sup> ]
IRB 760	23	17



#### Note

Acceleration levels for emergency stop and controlled motion includes acceleration due to gravitational forces. Nominal load is defined with nominal mass and cog with max offset in Z and L (see the load diagram).

# 1 Description

## 1.6.1 Introduction

## 1.6 Mounting of equipment

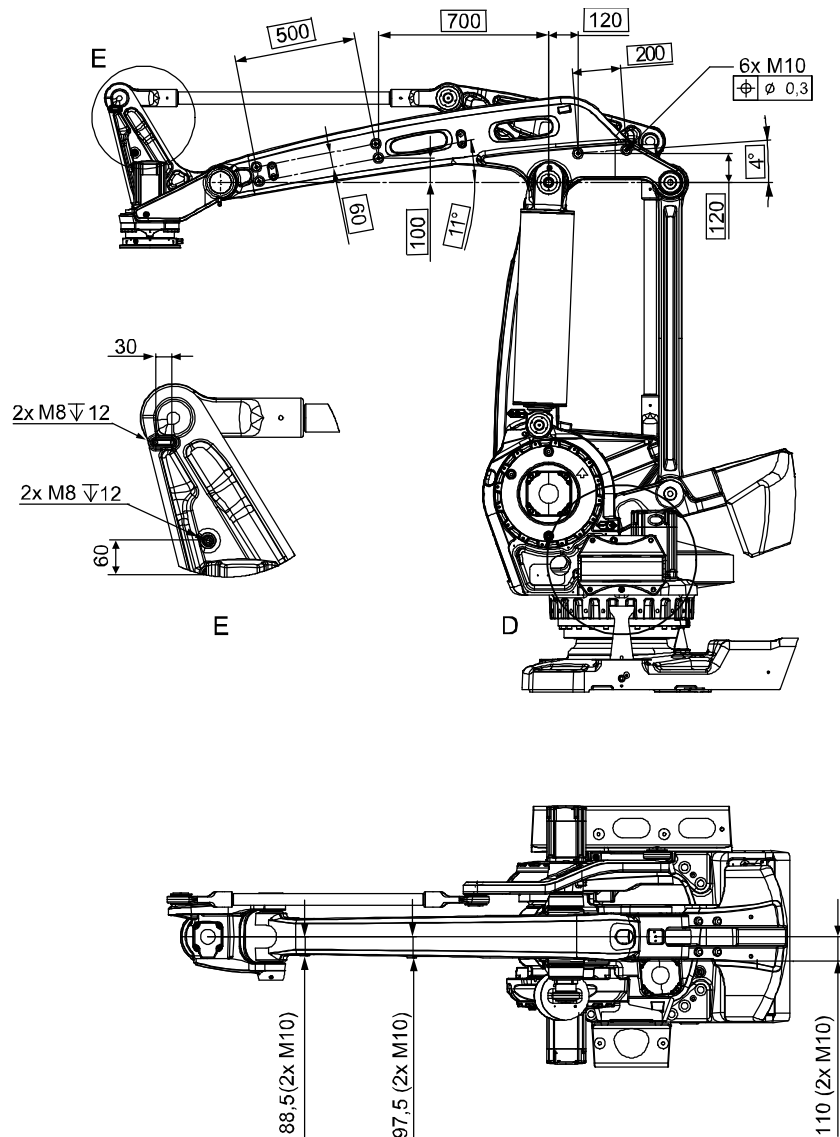
### 1.6.1 Introduction

#### General

Extra loads can be mounted on to the upper arm and on to the left side of the frame. Holes and definitions of masses are shown in figure below.

For mounting of an external vacuum hose there are six holes on the upper arm figure below. The max. weight for the vacuum hose and fastening device is 35 kg. When using the holes, the weight of the vacuum hose shall be reduced from the max. Handling capacity, for each variant respectively.

IRB 760-450/3.2



xx1000001147

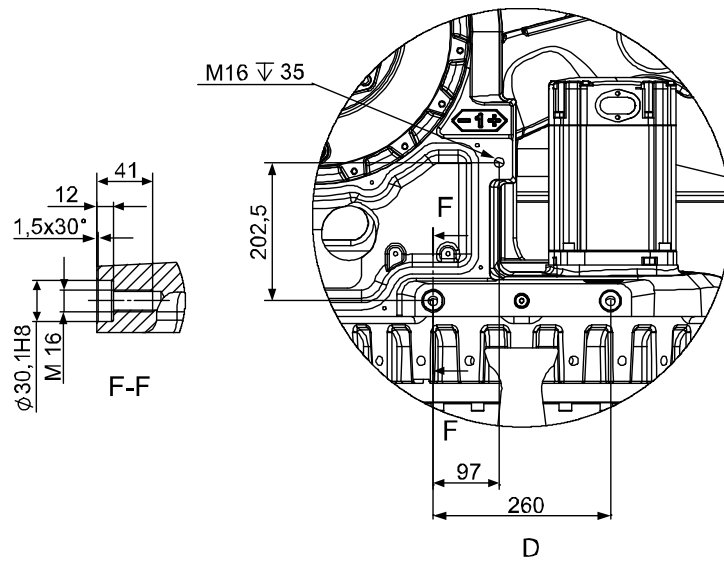
Continues on next page



# 1 Description

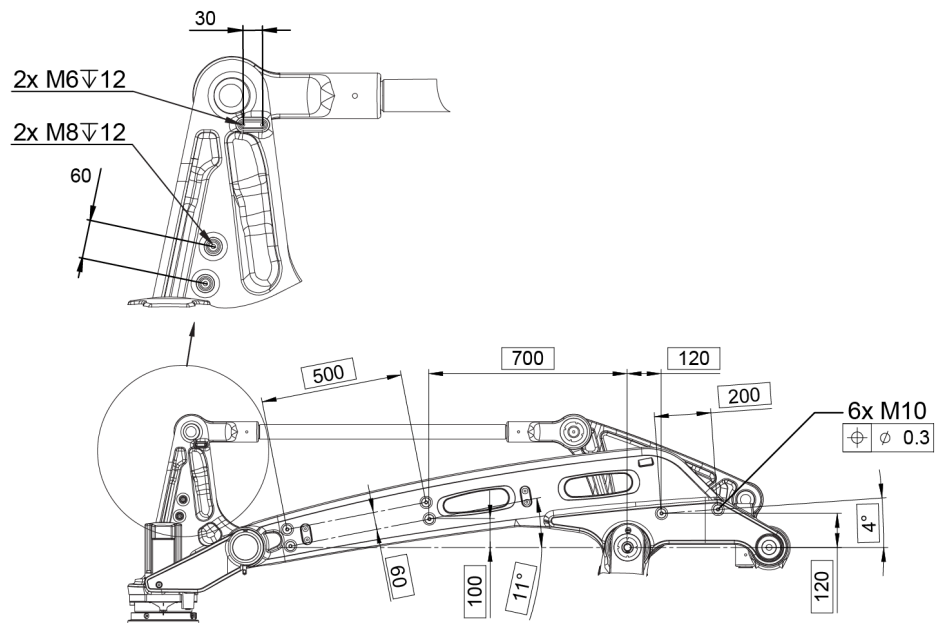
## 1.6.1 Introduction

*Continued*



xx1000001148

IRB 760-445/3.2



xx1900001259

*Continues on next page*

# 1 Description

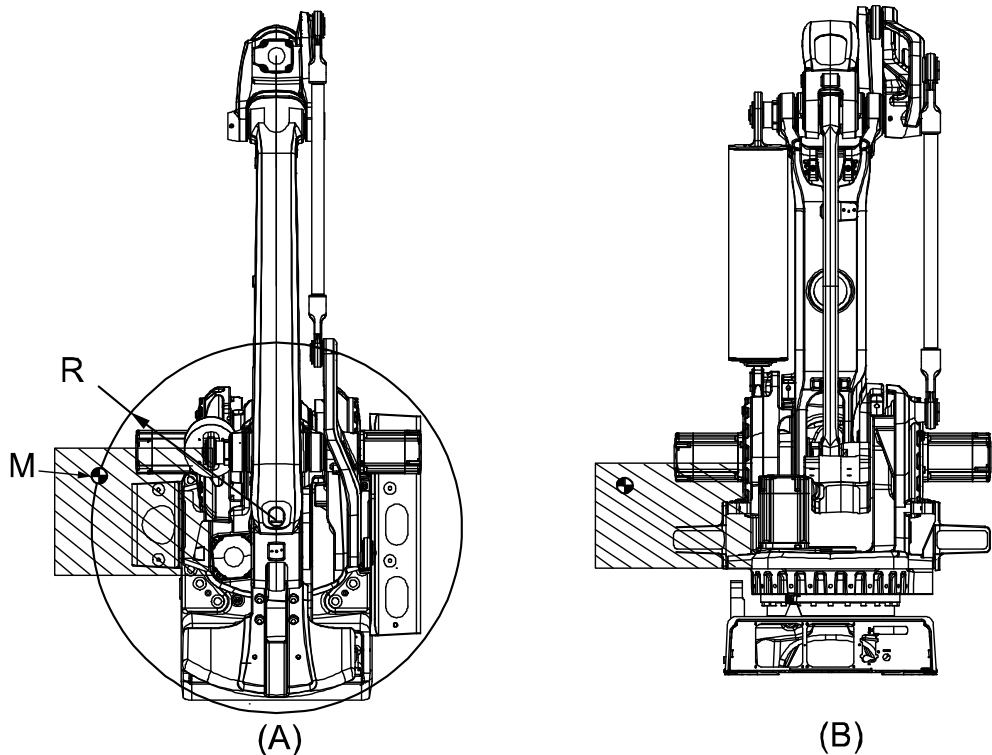
## 1.6.1 Introduction

Continued

### Frame

For mounting of extra load on to the frame there are three holes on the left side (see previous figure). The max. weight of the extra load is 150 kg and the max. moment of inertia is 120 kgm<sup>2</sup>.

Description	Value and definition
Permitted extra load on frame	$M = 150 \text{ kg}$
Max. moment of inertia for extra load	$J_H = 120 \text{ kgm}^2$
Recommended position, see figure below	$J_H = J_{H0} + M \times R^2$ $J_{H0}$ is the moment of inertia (kgm <sup>2</sup> ) for the extra load. $R$ is the radius (m) from the center of axis 1. $M$ is the total mass (kg) of the extra load.



xx1000001149

Pos	Description
A	View from above
B	View from the rear
M	Center of gravity of hip load
R	Radius to CoG of (M)

Continues on next page

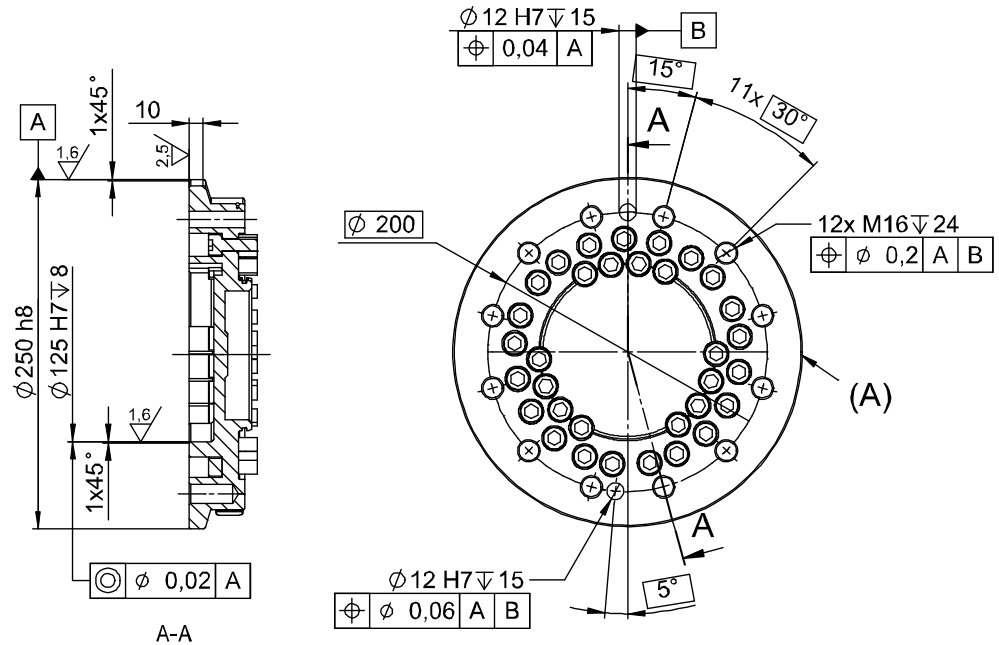
# 1 Description

## 1.6.1 Introduction

*Continued*

### Robot tool flange

The following figure shows the robot tool flange SS-EN ISO 9409;2004 (dimensions in mm).



xx1000001058

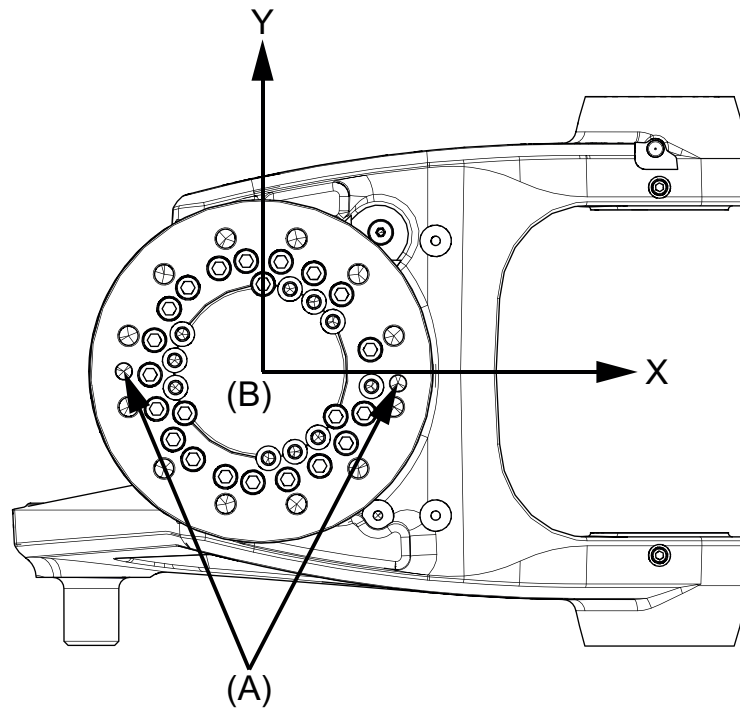
Pos	Description
A	Calibration mark

*Continues on next page*

# 1 Description

## 1.6.1 Introduction

*Continued*



xx1800001403

-	Tool flange in bottom view
A	Locating hole
B	Tool coordinate system

### Fastener quality

When fitting tools on the tool flange, only use screws with quality 12.9. For other equipment use suitable screws and tightening torque for your application.

## 1.7 Robot motion

### 1.7.1 Introduction

#### Type of motion

The table below specifies the types and ranges of the robot motion in every axis.

Axis	Type of motion	Range of motion
1	Rotation motion	-180° to +180° Can be extended, with use of option, to: -220° to +220° (option 561-1)
2	Arm motion	-42° to +85°
3	Arm motion	-20° to +120° IRB 760 - 445/3.2: -20° to +80°
2-3	Arm motion	20° to 160°
6	Turn motion	-300° to +300° - 67 revolutions to +67 revolutions <sup>1)</sup>

<sup>1)</sup> The default working range for axis 6 can be extended by changing parameter values in the software. Option 610-1 "Independent axis" can be used for resetting the revolution counter after the axis has been rotated (no need for "rewinding" the axis).

*Continues on next page*

# 1 Description

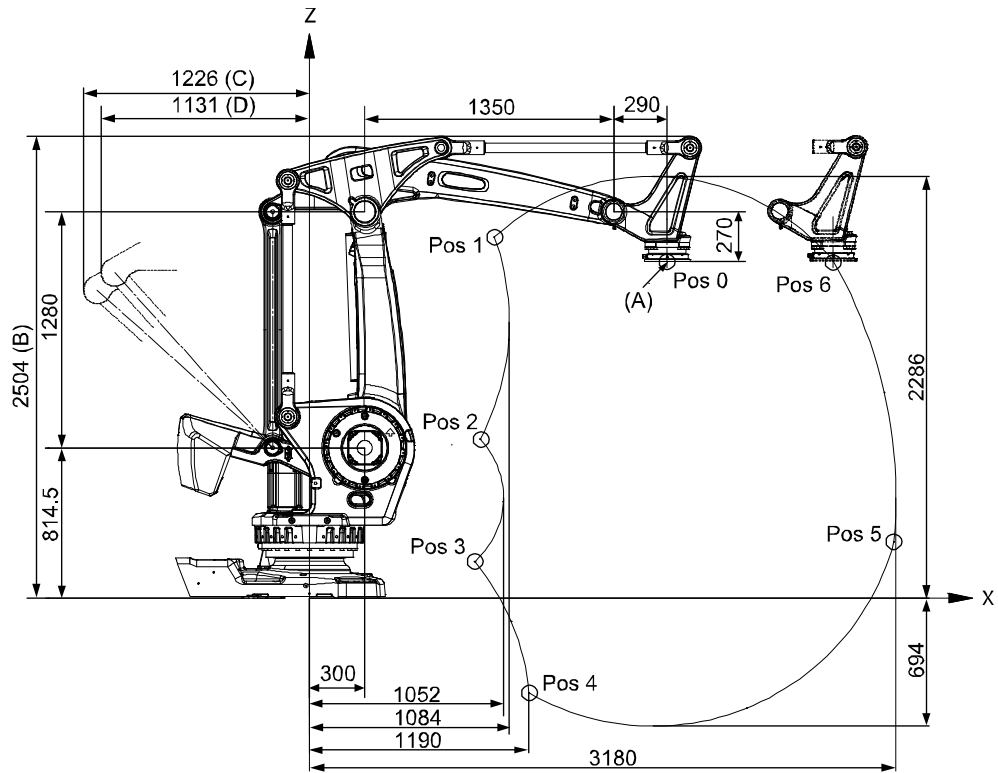
## 1.7.1 Introduction

Continued

### Illustration

The following figure shows the extreme positions of the robot arm specified at tool flange center (dimensions in mm).

IRB 760 - 450/3.2

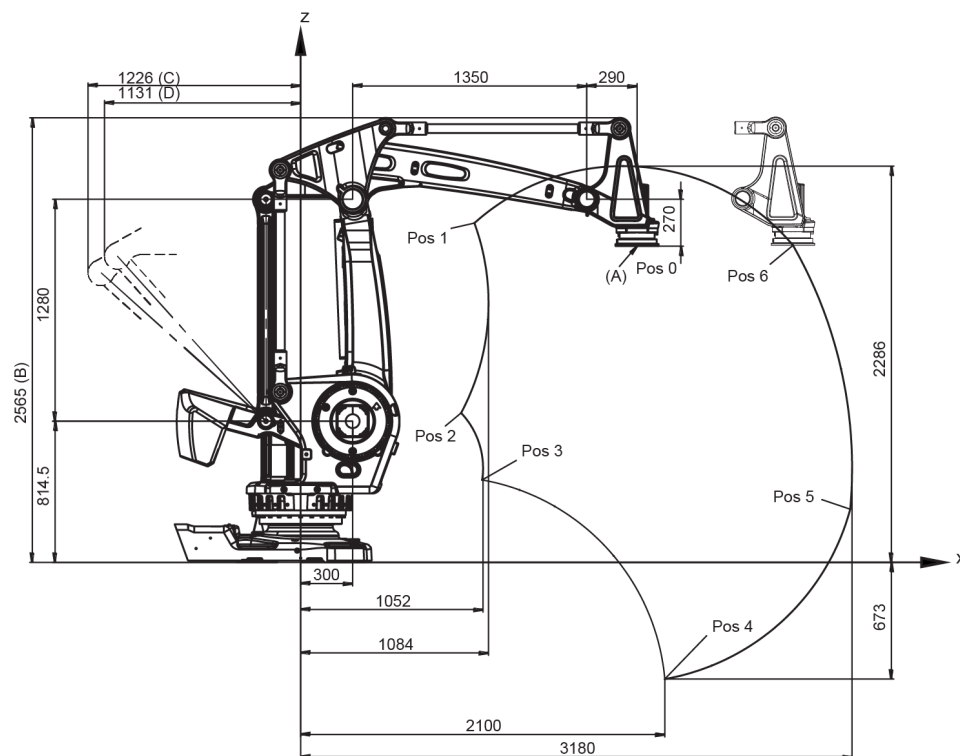


xx1000001151

Pos	Description
A	Tool flange center
B	Max working range 2966 mm
C	Mechanical stop
D	Max working range

Continues on next page

### IRB 760 - 445/3.2



xx2000000272

Pos	Description
A	Tool flange center
B	Max working range 3027 mm
C	Mechanical stop
D	Max working range

#### Positions at wrist center

Pos no. see Figure 16	X Position (mm)	Z Position (mm)	Axis 2 Angle (degrees)	Axis 3 Angle (degrees)
0	1940	1824,5	0	0
1	1002	1957	-42	-20
2	925	862	-42	28
3	896	198	50	120
4	1190	-513	85	120
5	3169	307	85	15
6	2839	1829	50	-20

# 1 Description

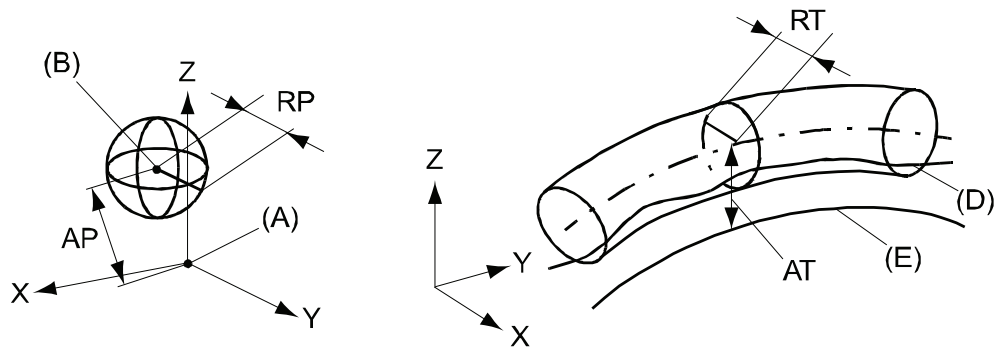
## 1.7.2 Performance according to ISO 9283

### 1.7.2 Performance according to ISO 9283

#### General

At rated maximum load, maximum offset and 1.6 m/s velocity on the inclined ISO test plane, with all six axes in motion. Values in the table below are the average result of measurements on a small number of robots. The result may differ depending on where in the working range the robot is positioning, velocity, arm configuration, from which direction the position is approached, the load direction of the arm system. Backlashes in gearboxes also affect the result.

The figures for AP, RP, AT and RT are measured according to figure below.



xx0800000424

Pos	Description	Pos	Description
A	Programmed position	E	Programmed path
B	Mean position at program execution	D	Actual path at program execution
AP	Mean distance from programmed position	AT	Max deviation from E to average path
RP	Tolerance of position B at repeated positioning	RT	Tolerance of the path at repeated program execution

Description	IRB 760-450/3.2 IRB 760-445/3.2
Pose accuracy, AP <sup>a</sup> (mm)	0.20
Pose repeatability, RP (mm)	0.05
Linear path repeatability, RT (mm)	0.80
Linear path accuracy, AT (mm)	3.30
Pose stabilization time, PSt (s) to within 0.5 mm of the position	0.13

a. AP according to the ISO test above, is the difference between the taught position (position manually modified in the cell) and the average position obtained during program execution.

The above values are the range of average test results from a number of robots.



**1.7.3 Velocity**

---

**Maximum axis speeds**

Axis No.	IRB 760-450/3.2 IRB 760-445/3.2
1	85°/s
2	85°/s
3	85°/s
6	160°/s

There is a supervision function to prevent overheating in applications with intensive and frequent movements.

# 1 Description

## 1.7.4 Stopping distance/time

### 1.7.4 Stopping distance/time

#### General

Stopping distance/time for emergency stop (category 0), program stop (category 1) and at mains power supply failure at max speed, max stretched out and max load, categories according to EN 60204-1. All results are from tests on one moving axis. All stop distances are valid for floor mounted robot, without any tilting.

Robot type	Axis	Category 0		Category 1		Main power failure	
		A	B	A	B	A	B
IRB 760-450/3.2	1	32.9	0.75	54.3	1.19	37.8	0.8
IRB 760-445/3.2	2	20.4	0.47	41.4	1.04	24.3	0.49
	3	21.5	0.48	39.4	0.83	27.0	0.54

	Description
A	Stopping distance in degrees
B	Stop time (s)

## 1.8 Customer connections

### 1.8.1 Introduction

#### General

Depending on the choice of options above the Customer connection will have different content. The choice of routing will not affect the content. See tables for signal content below.

For further information of the customer connection, see Specification of Variants and Options, Application interface Connection type.

#### Media & Communication, Ethernet, parallel communication and air

Type	Application	Specification	Connection type	Supplier Article No.	Comment
Functional Earth (FE)		10mm <sup>2</sup>	M8 Cable lug		
Power (CP)	Utility power	4x0.75mm <sup>2</sup> (5A/250VAC)	3-module Harting, shell size 10B, EE	Female, EE, 8 pin9 140 083 101	1x0.75mm <sup>2</sup> protective earth
Signals (CS)	Parallel communication	16x AWG24 + 10x AWG24 (50V/1A)	3-module Harting, shell size 10B, HD+EE	Female, HD, 25 pin9 140 253 101	4 quad twisted, 5 screened pair twisted
Air (AIR)	Utility air	2x12.7 (1/2") P <sub>Nom</sub> = 16 bar	Parker Push-lock, 1/2" M22x1,5 Brass 24 degree seal		
Bus communication (BUS)	Ethernet/IP, PROFINET	4x0.4mm <sup>2</sup>	M12, 4-poles, D-coded, male	Harting 21038821425	Ethernet CAT5e 100 Mbit <sup>1</sup> .

#### Media & Communication, DeviceNet/Profibus, parallel communication and air

Type	Application	Specification	Connection type	Harting Article No.	Comment
Power (CP)	Utility power	4x0.75mm <sup>2</sup> (5A/250VAC)	3-module Harting, shell size 10B, EE	Female, EE, 8 pin9 140 083 101	1x0.75mm <sup>2</sup> protective earth
Signals (CS)	Parallel communication	16x AWG24 + 10x AWG24 (50V/1A)	3-module Harting, shell size 10B, HD+EE	Female, HD, 25 pin9 140 253 101	4 quad twisted, 5 screened pair twisted
Bus Communication (BUS)	Profibus	2xAWG26, Z=150 Ohm (1MHz)	3-module Harting, shell size 10B, DD	Female, DD, 12 pin9 140 123 101	
	CANBus	2xAWG26, Z=120 Ohm (1MHz)			
	BUS power & BUS utility	2x2 AWG24			

<sup>1</sup> Ethernet with wire colors according to PROFINET standard

*Continues on next page*

# 1 Description

---

## 1.8.1 Introduction

*Continued*

Type	Application	Specification	Connection type	Harting Article No.	Comment
Air (AIR)	Utility air	2x12.7 (1/2") P <sub>Nom</sub> = 16 bar	Parker Push-lock, 1/2" M22x1,5 Brass 24 degree seal		

## 1.9 Maintenance and troubleshooting

### 1.9.1 Introduction

---

#### General

The robot requires only minimum maintenance during operation. It has been designed to make it as easy to service as possible:

- Maintenance-free AC motors are used
- Oil is used for the gear boxes
- The cabling is routed for longevity, and in the unlikely event of a failure, its modular design makes it easy to change

---

#### Maintenance

The maintenance intervals depend on the use of the robot, the required maintenance activities also depends on selected options. For detailed information on maintenance procedures, see Maintenance section in the Product Manual.

**This page is intentionally left blank**

## 2 Specifications of variants and options

### 2.1 Introduction to variants and options

---

#### General

The different variants and options for the IRB 760 are described in the following sections. The same option numbers are used here as in the specification form.

The variants and options related to the robot controller are described in the product specification for the controller.

## 2 Specifications of variants and options

### 2.2 Manipulator

### 2.2 Manipulator

#### Variants

Option	IRB Type	Handling capacity (kg)	Reach (m)
435-106	760	450	3.18
435-144 (only for press tend- ing applica- tion)	760	445	3.18

#### Manipulator color

Option	Description	Note
209-2	ABB White	The robot is painted in white color.
209-201	NCS 2070-Y60R Or- ange	The robot is painted in orange.
209-202	ABB Graphite white std.	The robot is painted in graphite white color.
209	RAL code	The robot is painted in chosen RAL - color.



#### Note

Notice that delivery time for painted spare parts will increase for none standard colors.

#### Protection

Option	Description
287-4	Standard

#### Media & Communication

Air supply and signals for extra equipment upper arm, see [Customer connections on page 43](#).

Option	Description	Note
803-2	Ethernet cable, parallel communication and air	Includes CP, CS, Ethernet + air
803-3	DeviceNet, parallel com- munication and air	Includes CP, CS and DeviceNet + air
803-4	PROFIBUS	Includes CP, CS and PROFIBUS + air

#### Connector kits

The kit consists of connectors, pins and sockets.

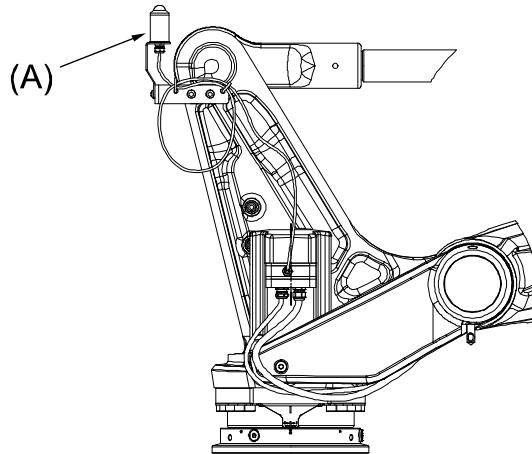
Option	Description
431-1	For the connectors on the upper arm.
239-1	For connectors on base.

*Continues on next page*



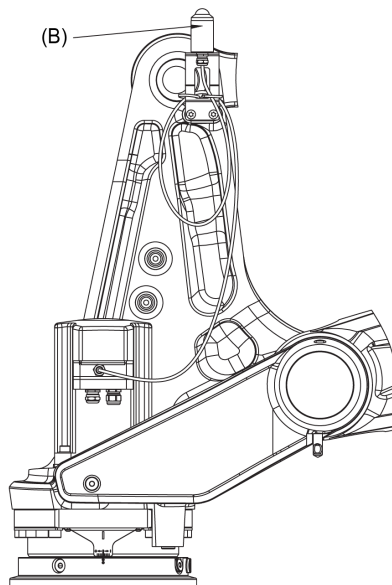
### Safety lamp

Option	Description
213-1	A safety lamp with an orange fixed light can be mounted on the manipulator. The lamp is active in MOTORS ON mode. The safety lamp is required on a UL/UR approved robot.



xx1000001152

Pos	Description
A	Safety lamp for IRB 760 - 450/3.2



xx2000000273

Pos	Description
B	Safety lamp for IRB 760 - 445/3.2

### Fork lift device

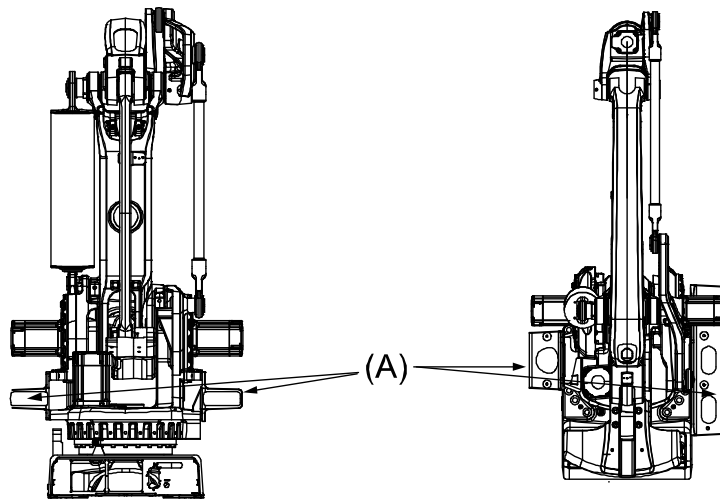
Option	Description
159-1	Lifting device on the manipulator for fork-lift -handling.

*Continues on next page*

## 2 Specifications of variants and options

### 2.2 Manipulator

Continued



xx1000001154

Pos	Description
A	Fork lift pockets (x2)

#### Baseplate

Option	Description
37-1	Can also be used for IRB 7600. See <a href="#">Installation on page 16</a> for dimension drawing.

#### Resolver connection, axis 7

Option	Description	Note
864-1	On base	Used together with first additional drive, option 907-1.

#### Electronic Position Switches (EPS)

The mechanical position switches indicating the position of the three main axes are replaced with electronic position switches for up to 7 axes, for increased flexibility and robustness. For more detailed information, see *Product specification - Controller IRC5* and *Application manual - Electronic Position Switches*.

#### Working range limit Axis 1

To increase the safety of the robot, the working range of axis 1 can be restricted by extra mechanical stops.

Option	Type	Description
29-2	Axis 1, 7.5 degrees	Two stops which allows the working range to be restricted in increments of 7,5 degrees.

Continues on next page

### Extended work range

Option	Type	Description
561-1	Extended work range axis 1	To extend the working range on Axis 1 from $\pm 180^\circ$ to $\pm 220^\circ$ . When the option is used the mechanical stop shall be disassembled. EPS (Electronic Position Switches) functionality (option 810-1 or -2) is required.



#### CAUTION

The option *Extended work range* enables an extension of the working range for axis 1, through a software configuration. With this option installed, the working range can exceed the range limited by the mechanical stop on axis 1. The working range shall be limited through the option *SafeMove*.

A risk analysis must be done to ensure that no risks remain when using option *Extended work range*, to limit the working range, and before removing the mechanical stops.

For information about the option *SafeMove*, see *Application manual - Functional safety and SafeMove2*.

If the mechanical stop is removed, then the manipulator should have a marking for this, for example, a label. If the robot is delivered with the option *Extended work range*, then such a label is included on delivery.

### Warranty

For the selected period of time, ABB will provide spare parts and labour to repair or replace the non-conforming portion of the equipment without additional charges. During that period, it is required to have a yearly Preventative Maintenance according to ABB manuals to be performed by ABB. If due to customer restrains no data can be analyzed in the ABB Ability service *Condition Monitoring & Diagnostics* for robots with OmniCore controllers, and ABB has to travel to site, travel expenses are not covered. The Extended Warranty period always starts on the day of warranty expiration. Warranty Conditions apply as defined in the Terms & Conditions.



#### Note

This description above is not applicable for option *Stock warranty* [438-8]


Option	Type	Description
438-1	Standard warranty	Standard warranty is 12 months from <i>Customer Delivery Date</i> or latest 18 months after <i>Factory Shipment Date</i> , whichever occurs first. Warranty terms and conditions apply.
438-2	Standard warranty + 12 months	Standard warranty extended with 12 months from end date of the standard warranty. Warranty terms and conditions apply. Contact Customer Service in case of other requirements.

*Continues on next page*

## 2 Specifications of variants and options

### 2.2 Manipulator

*Continued*

Option	Type	Description
438-4	Standard warranty + 18 months	Standard warranty extended with 18 months from end date of the standard warranty. Warranty terms and conditions apply. Contact Customer Service in case of other requirements.
438-5	Standard warranty + 24 months	Standard warranty extended with 24 months from end date of the standard warranty. Warranty terms and conditions apply. Contact Customer Service in case of other requirements.
438-6	Standard warranty + 6 months	Standard warranty extended with 6 months from end date of the standard warranty. Warranty terms and conditions apply.
438-7	Standard warranty + 30 months	Standard warranty extended with 30 months from end date of the standard warranty. Warranty terms and conditions apply.
438-8	Stock warranty	<p>Maximum 6 months postponed start of standard warranty, starting from factory shipment date. Note that no claims will be accepted for warranties that occurred before the end of stock warranty. Standard warranty commences automatically after 6 months from <i>Factory Shipment Date</i> or from activation date of standard warranty in WebConfig.</p> <p> <b>Note</b></p> <p>Special conditions are applicable, see <i>Robotics Warranty Directives</i>.</p>

### 2.3 Floor cables

#### Manipulator cable length

Option	Lengths
210-2	7 m
210-3	15 m
210-4	22 m
210-5	30 m

#### Application interface Connection

Option	Description
16-1	Cabinet <sup>a</sup> The signals are connected to 12-pole screw terminals, Phoenix MSTB 2.5/12-ST-5.08, to the Control Module.

a) Note! In a MultiMove application, additional robots have no Control Module. The screw terminal with internal cabling are then delivered separately to be mounted in the main robot Control Module or in another encapsulation, for example a PLC cabinet.

#### Connection of Parallel/DeviceNet/Profibus/Ethernet connection

Following information specifies the cable length for Parallel/DeviceNet/Profibus/Ethernet connection floor cables for connections between cabinets and manipulator.

Option	Lengths
90-2/92-2/859-1/94-1	7 m
90-3/92-3/859-2/94-2	15 m
90-4/92-4/859-3	22 m
90-5/92-5/859-4/94-4	30 m

## 2 Specifications of variants and options

---

### 2.4 User documentation

### 2.4 User documentation

---

#### User documentation

The user documentation describes the robot in detail, including service and safety instructions.



#### Tip

All documents can be found via myABB Business Portal, [www.abb.com/myABB](http://www.abb.com/myABB).

## 3 Accessories

### 3.1 Introduction to accessories

---

#### General

There is a range of tools and equipment available.

---

#### Basic software and software options for robot and PC

For more information, see *Product specification - Controller IRC5* and *Application manual - Controller software IRC5*.

---

#### Robot peripherals

- Motor Units<sup>2</sup>

<sup>2</sup> Not applicable for IRC5 Compact controller.

**This page is intentionally left blank**



# Index

## A

accessories, 55

## C

calibration

standard type, 24

Calibration Pendulum, 26

## D

documentation, 54

## E

Electronic Position Switches, 50

EPS, 50

extended working range, 51

## F

fine calibration, 26

## I

instructions, 54

## M

manuals, 54

## O

option

Extended working range, 51

options, 47

## P

product standards, 14

## S

safety standards, 14

service instructions, 54

standards, 14

ANSI, 14

CAN, 14

EN IEC, 14

EN ISO, 14

standard warranty, 51

stock warranty, 51

## U

user documentation, 54

## V

variants, 47

## W

warranty, 51







**ABB AB**

**Robotics & Discrete Automation**

S-721 68 VÄSTERÅS, Sweden

Telephone +46 (0) 21 344 400

**ABB AS**

**Robotics & Discrete Automation**

Nordlysvegen 7, N-4340 BRYNE, Norway

Box 265, N-4349 BRYNE, Norway

Telephone: +47 22 87 2000

**ABB Engineering (Shanghai) Ltd.**

Robotics & Discrete Automation

No. 4528 Kangxin Highway

PuDong District

SHANGHAI 201319, China

Telephone: +86 21 6105 6666

**ABB Inc.**

**Robotics & Discrete Automation**

1250 Brown Road

Auburn Hills, MI 48326

USA

Telephone: +1 248 391 9000

**[abb.com/robotics](http://abb.com/robotics)**